

# Ventris Vapor-Recovery Vent

The Ventris Vapor-Recovery Vent has been designed and tested to take the punishment of everyday use at temperatures from -40°F to 160°F (-40°C to 71°C). A new cap design threads into the top of the vent, which allows for a better seal and eliminates the snap ring on top.

The Ventris Vapor-Recovery Vent still maintains a low profile to keep the vents well below the overturn rail, yet with its increased seat opening offers improved flow with less pressure drop. An added third port improves the new vent's closing speed.

## Features and Benefits

- Lightweight aluminum body
- Dual Buna-N piston O-ring seals standard
- External exhaust port
- Viton gaskets and seals
- Sequential port optional (Standard configuration does not include sequential port)
- Hex-head plastic threaded-cap design

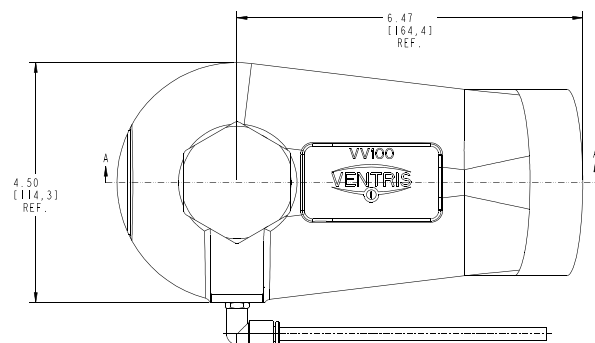
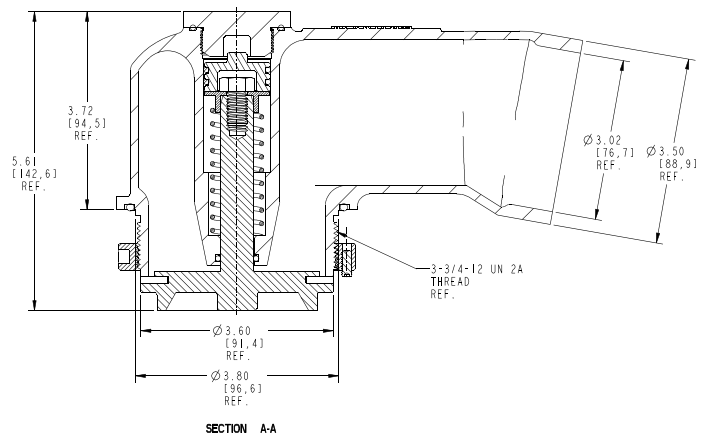
## Specifications

- **Materials:** Aluminum, Stainless Steel and Viton®
- **Dimensions:**
  - **Height Closed:** 5.59"
  - **Height Open:** 6.52"
  - **Ride Height:** 3.70"
  - **Length:** 8.75"
- **Weight:** 3.60 lbs. (1.63 kg)
- **Temperature Range:** -40°F (-40°C) to 160°F (71°C)



**Ventris Vapor-Recovery Vent**

**PART # VV100**



+86 189 1558 3502 [ventrisbyopw.com](http://ventrisbyopw.com)

**DELIVERING | WHAT'S NEXT**